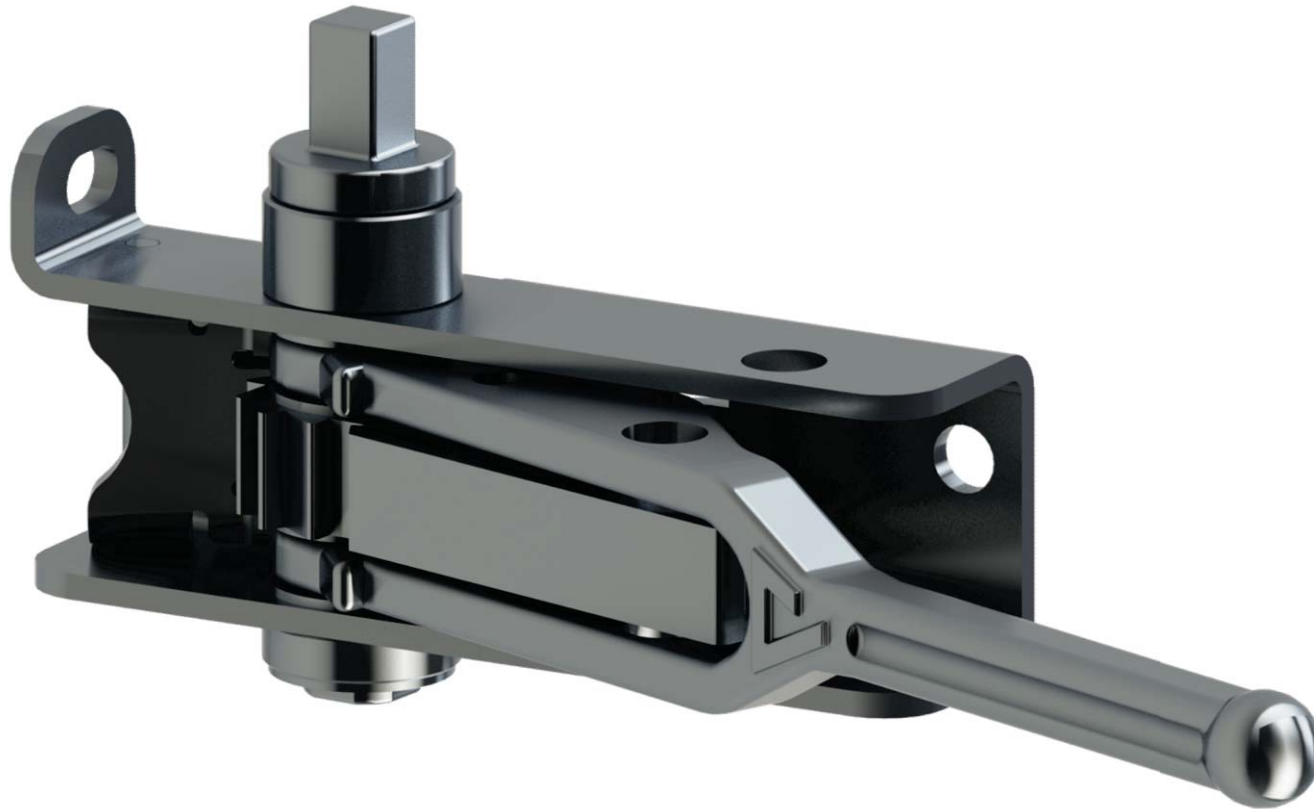




ADA
SAFETENSIONER





— ADA SAFETENSIONER

— Slotted Drive Version



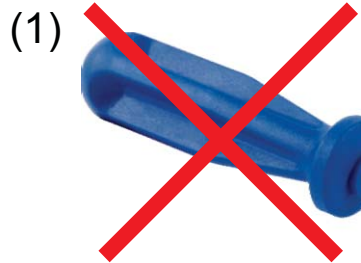
— Square Drive Version





— ADA SAFETENSIONER: ADVANTAGES (I)

✓ Antitheft System



(2)



The design of ADA-SAFETENSIONER, once closed, prevents any type of external manipulation (1) that allows the slack of curtain, avoiding the access to interior of trailer. With this system the user avoids the placing of antitheft caps (2) on each tensor



— ADA SAFETENSIONER: ADVANTAGES (II)

✓ Durability

- Corrosion Resistance
- Mechanical Resistance (Robustness)



Saline fog test chamber (DIN EN ISO 9227) – 1.000 hours



 **ADAICO**

www.adaico.com



— ADA SAFETENSIONER: FUNCTIONING

Tightening



click!

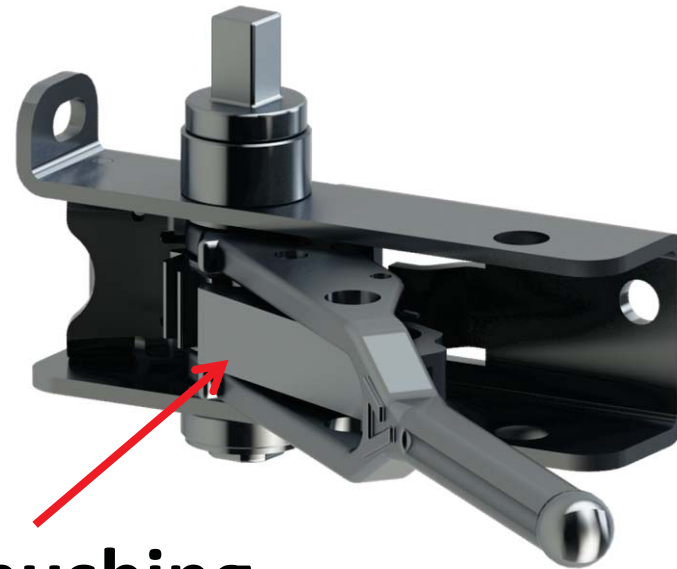
 **ADAICO**

www.adaico.com



— ADA Safetensioner: functioning

Slacking



Keep pushing



— ADA Safetensioner: functioning

Slacking





*— Thank you for your
attention*



ADAICO®

www.adaico.com