

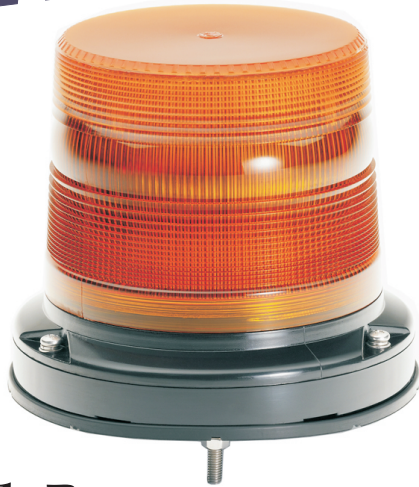
NEW

Reg 65 LED Beacon

12/24V

Flashing

Rubbolite®



11 Flash Patterns

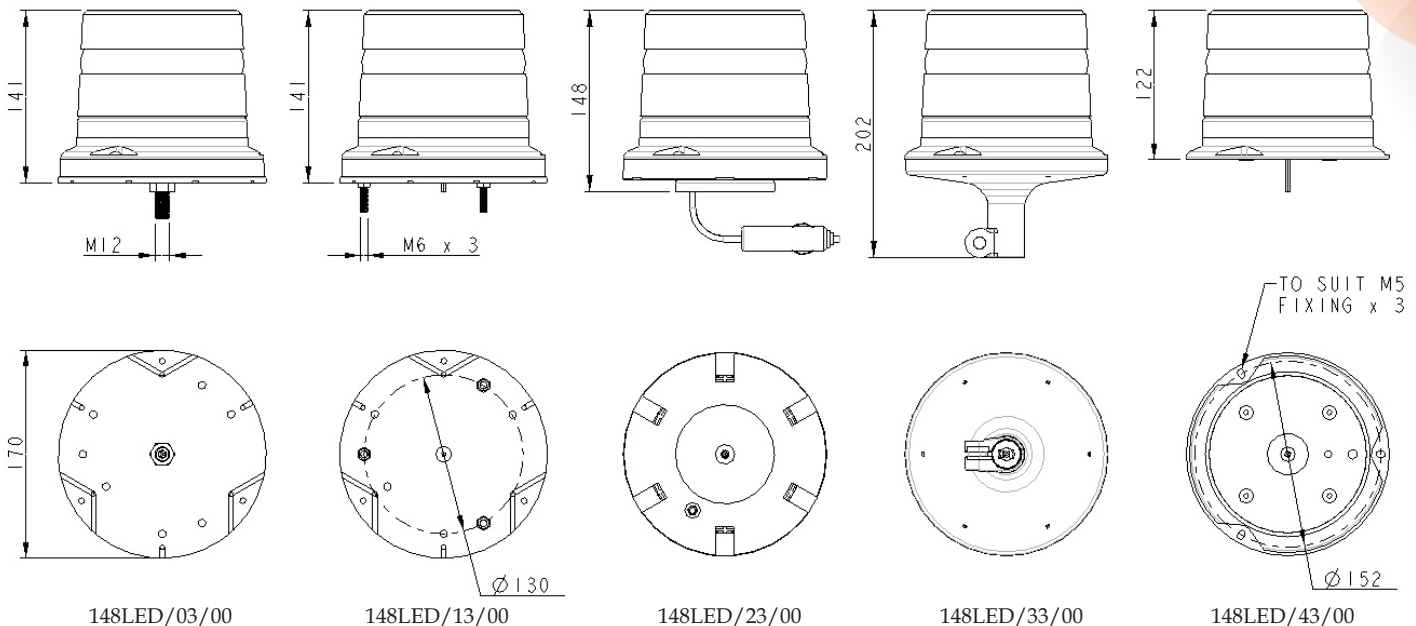
1. Single flash to ECE Reg 65
2. Three flashes
3. Seven flashes
4. Four flashes (180 times per minute)
5. Alternating flash (Flashes from pattern 1 to pattern 7 again and repeats)
6. Double flash
7. Four flashes (125 times per minute)
8. Three flash to seven flashes
9. Single flash to four flashes
10. Four flashes to alternating flash
11. Two flashes to quick flash

Features & Benefits

- Rubbolite branding
- Simple to assemble
- No special assemble tools required
- 3 yr warranty
- Dual voltage 12V & 24V systems - Operating at 10 - 30V
- LED - High power SMD technology
- Polycarbonate lens
- Polycarbonate housing and mounting options
- Surface or pendant mount or magnetic mount for ease of assembly
- Polarity protected
- 11 Flash patterns - Operating mode can be changed from single flash to various options
- Operating temperature: -30°C to +50°C
- Magnetic mount - Max vehicle speed 50mph (10Kg suction force)
- EMC approved ECE Reg 10 latest amendments
- ECE approved Reg 65 TA1 single flash
- Unit to comply with ADR requirements

Part Number	Description
148LED/03/00	Amber / 1 Bolt
148LED/13/00	Amber / 3 Bolt
148LED/23/00	Amber / Magnetic
148LED/33/00	Amber / Din A Post Mount
148LED/43/00	Amber / 3 Fixing Screws

Technical Drawing & Dimensions & Fixings



www.Truck-Lite.eu.com